

DH-TPC-BF5600-T

Thermal Network Bullet Camera



- 640*512 VOx uncooled thermal sensor technology
- Athermalized Lens(thermal),Focus-free
- Support temperature measurement
- Support Fire detect&alarm
- Various lens optional(9/13/19/25/35mm)
- 2/1 alarm in/out
- Micro SD memory, IP67,POE



System Overview

Featuring a fixed lens, bullet camera, this series provides an all-in-one solution for capturing long distance video surveillance for outdoor applications. Together with Thermal Technology, the camera is the perfect solution for dark, long rang monitoring applications.

Functions

Uncooled Vox Technology

Dahua thermal cameras use uncooled Vox sensor technology . Because of small size and better performance, it's cost-effective solution for thermal security.

High Sensitivity

High thermal sensitivity(<40mK) makes cameras capture more image details and temperature difference information.

Fire Detect&Alarm

With built-in Fire detect function, the camera has the ability to detect fire in a long distance. because thermal camera is sensitive to temperature, so the accuracy of Fire detect will be higher than visible camera. especially useful for forest fire prevention.

Temperature Measurement

Dahua thermal camera (-T Model) can be used for remote temperature monitoring with the possibility to set temperature alarms. Measure the objects' temperature whatever daytime or night. It is ideal for remote monitoring of power generating facilities. It'll trigger an alarm when temperature over threshold. Temperature range is between-40 °C to 550 °C (-40 °F to 1022 °F).

Intelligent Video System (IVS)

With built-in intelligent video analytics, the camera has the ability to detect and analyze moving objects for improved video surveillance. The camera provides optional standard intelligence at the edge allowing detection of multiple object behaviors such as abandoned or missing objects. IVS also supports Tripwire analytics, allowing the camera to detect when a pre-determined line has been crossed.

Environmental

With a temperature range of -40 °C to +60 °C (-40 °F to +140 °F), the camera is designed for extreme temperature environments. Subjected and certified to rigorous dust and water immersion tests, the IP67 rating makes it suitable for demanding outdoor applications.

Protection

Supporting $\pm 25\%$ input voltage tolerance, this camera suits even the most unstable conditions for outdoor applications. Its 6KV lightning rating provides protection against the camera and its structure from the effects of lightning.

Technical Specification

Thermal Camera

Image Sensor	Uncooled VOx Microbolometer
Effective Pixels	640(H)x512(V)
Pixel Size	17um
Thermal Sensitivity(NETD)	<40mK@f/1.0
Spectral Range	7~14um
Image Setting	Brightness/Sharpness/ROI/DDE/AGC/FFC/3D DNR
Color Palettes	14(Whitehot/Blackhot/Ironrow/Icefire/ Fusion/Rainbow/Globow/Iconbow1/ Iconbow2 .etc)

Thermal Lens

Lens Type	Fixed				
Focus Control	Athermalized,Focus-free				
Focal Length	9mm	13mm	19mm	25mm	35mm
Angle of View	69° *56°	45° *37°	32° *26°	25°* 20°	18°*14°
Effective Distance ^① Man(1.8m*0.5m)	D:②:300m R:③: 70m I:④: 45m	D:450m R:120m I: 60m	D:650m R: 160m I: 80m	D:950m R: 230m I: 120m	D:1300m R: 320m I: 160m
Effective Distance Vehicle(2.3m*2.3m)	D:750m R: 200m I: 80m	D:1300m R: 340m I: 170m	D:2000m R: 500m I: 250m	D:2800m R: 720m I: 360m	D:4000m R: 1000m I: 300m

Video

Compression	H.264(Base profile/Main profile/High profile)/ MJPEG
Frame Rate	Main Stream: 1280*1024 (default)/ 720P @30fps Sub Stream: Thermal: 640*512 (default)/ 320*256 @15fps
Bit Rate Control	CBR / VBR
Bit Rate	H.264: 640K ~8Mbps
Motion Detetion	Off / On (4 zone, Rectangle)
Region of Interest	off/On (4 zone)
Electronic Image Stabilization (EIS)	NA
Digital Zoom	24x
Flip	180°
Mirror	Off/On
Privacy Masking	Off / On (4 area, Rectangle)

Temperature Measurement

Measurement range	Low Gain:-40°C ~+550°C High Gain:-40°C ~+160°C
Measurement accuracy	Max(±2°C,±2%)
Measurement mode	Spot/Line/Area
Measurement preset	Spot:8 Line:1 Area:8 Support 8 presets simultaneously

Audio

Compression	G.711a/G.711Mu/AAC
-------------	--------------------

Intelligent Function

Auto Tracking	NA
IVS (optional)	Tripwire, Intrusion, Object Detection(People&Vehicle), Abandon detection, Missing detection, Fire detect& alarm .etc.

Network

Ethernet	RJ-45 (10/100Base-T)
Protocol	IPv4/ IPv6, HTTP, HTTPS, SSL, TCP/IP, UDP, UPnP, ICMP, IGMP, SNMP, RTSP, RTP, SMTP, NTP, DHCP, DNS, PPPOE, DDNS, FTP, IP Filter, QoS, Bonjour, 802.1x
Interoperability	ONVIF PSIA CGI
Streaming method	Unicast / Multicast
Max. User Access	20
Edge Storage	micro SD (128GB) Memory status display (Normal / Error / Active / Formatting / Lock), NAS (Network Attached Storage), Local PC for instant recording
Web Viewer	<IE11, <Chrome44, Firefox
Management Software	Smart PSS, DSS
Smart Phone	Android, ios

Certifications

Certification	CE (EN 60950:2000) FCC (FCC Part 15 SubpartB)
Interface	
Video Interface	1.0Vp-p/75Ω, PAL / NTSC (HDCVI Optional)
Audio Interface	1 Input
RS485	NA
Alarm	2/1 In/Out

Electrical

Power Supply	24V AC ±25%/DC12V/POE
Power Consumption	Max. 7W

Environmental

Operating Condition	-40°C ~ +60°C (-40°F ~ +140°F) / Less than 95% RH * Start up should be done at above-40°C (-40°F)
Storage Conditions	-40°C ~ +70°C (-40°F ~ +158°F) / Less than 95% RH
Ingress Protection	IP67

Construction

Casing	Metal
Dimensions	291mmx 103mmx 97mm (11.46" x 4.06" x 3.82")
Net Weight	1.37Kg (3.02 lb)
Gross Weight	1.7Kg(3.75 lb)

Note:

- ① Effective distance values shown are nominal values and should be used as estimates only. Exact value calculations depend on a wide variety of conditions.
- ② D: Detection
- ③ R: Recognition
- ④ I : Identification

Accessories

Optional:



PFA121
Junction box

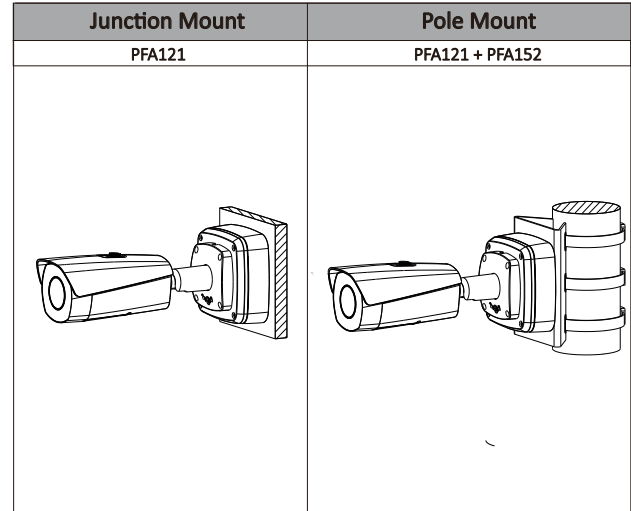


PFA152
Pole Mount

Ordering Information

Type	Part Number	Description
DH-TPC-BF5600-T	DH-TPC-BF5600P-TA9 DH-TPC-BF5600N-TA9	Thermal:640*512 9mm lens Temperature measurement
	DH-TPC-BF5600P-TA13 DH-TPC-BF5600N-TA13	Thermal:640*512 13mm lens Temperature measurement
	DH-TPC-BF5600P-TA19 DH-TPC-BF5600N-TA19	Thermal:640*512 19mm lens Temperature measurement
	DH-TPC-BF5600P-TA25 DH-TPC-BF5600N-TA25	Thermal:640*512 25mm lens Temperature measurement
	DH-TPC-BF5600P-TA35 DH-TPC-BF5600N-TA35	Thermal:640*512 35mm lens Temperature measurement

Mounting Type



Dimensions(mm)

